

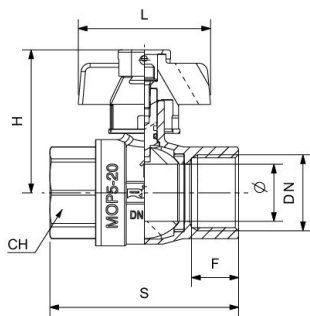


RIV 5051

Ball valve F/F (Professional series)
 full bore
 Extra-Lock brass tamperproof butterfly handle

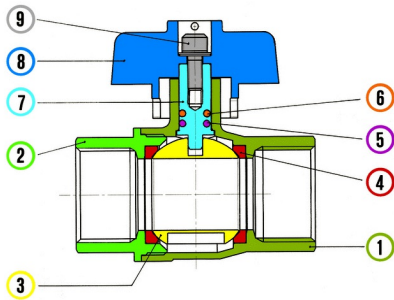
Tech drawings and tables

DN	Code	Ø	F	H	L	S	PN	KG	P/box
1/2"	025051000004	15	17	51	53	59	64	0,250	10
3/4"	025051000005	20	18	58	58	69	40	0,387	10
1"	025051000007	25	22	63	58	83	40	0,585	10



Technical data

Art. 5051



Materials

1	Body	Brass	CW617N	Nickel-plated
2	Body end	Brass	CW617N	Nickel-plated
3	Ball	Brass	CW617N	Chrome-plated
4	Seats	P.T.F.E.		
5	O-Ring	FKM		
6	O-Ring	NBR		
7	Stem	Brass	CW614N	
8	Butterfly handle	Brass		
9	Screw	Brass		

Connections

Limit

Notes

The max.working pressure (PN) means at a room temperature of about 23°C.